

Introduction

Diamond Tools for CNC Machines

- Segmented Routers Silver
- Segmented Wheels Silver

Introduction

Boost your efficiency with Silver- and STAR TRACK.

Our quality tools boost your efficiency in milling and grinding glass – we offer applied solutions. Improve the edge grade, extend the lifetime of grinding tools and benefit from the further improved price-performance ratio of our products.

- Expanding our range of products with new roughing tools of the **Silver** line with specialized specifications we are offering excellent milling tools for designing superior outer and inner contours as well as segmented grinding wheels for highest edge quality.
- We provide matching specifications related to your glass thickness – with or without internal cooling, depending on your application.
- Combine the **Silver-** with the **STAR TRACK** tools for fine grinding.
- We offer three different versions for the fine grinding with the **STAR TRACK** line. You can select among:
 - standard tools with continuous rim
 - standard tools with internal cooling
 - standard tools with internal cooling and segmented rim.

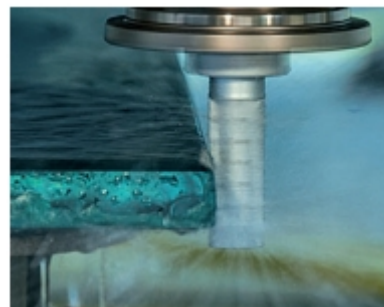
Product benefits at a glance:

Milling tools/roughing tools:

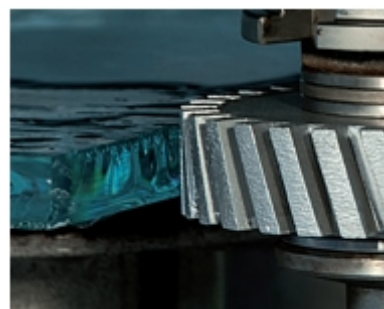
- long tool life
- high feed rate
- high stock removal rate
- excellent edge quality

Fine grinding tools:

- excellent edge condition for the following polish
- stable profile



Machining of glass with segmented router **Silver**



Machining of glass with segmented grinding wheel **Silver**



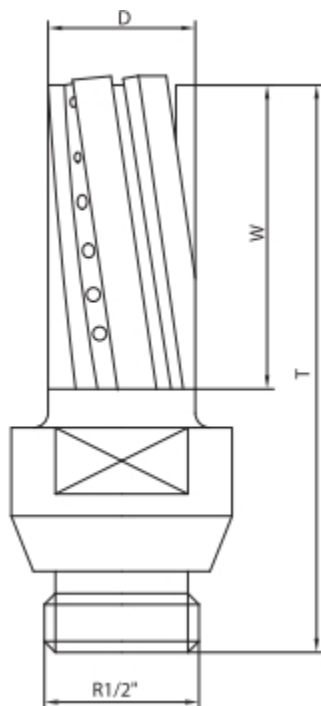
Edge grinding with **STAR TRACK** Flat & Arris wheel

CNC tools are suitable for :

- Furniture glass
- Interior glass
- Sanitary area

Segmented Routers Silver – Type 1A1W/S

Machines: Intermac, Bavelloni Alpa, Tecnometal, CMS, Denver, Bimatec (Bottero) ...



Glass thickness maximum 12 mm

D	Number of segments	Grit	T	W	X	Fitting
8	3	FINE	70 mm	30 mm	1.5 mm	R1/2"
10	3	FINE	70 mm	30 mm	2.0 mm	R1/2"
12	3	FINE	70 mm	30 mm	2.0 mm	R1/2"
14	4	FINE	80 mm	45 mm	2.5 mm	R1/2"
16	4	FINE	80 mm	45 mm	3.0 mm	R1/2"
20	4	FINE	85 mm	45 mm	3.5 mm	R1/2"
20	6	FINE	85 mm	45 mm	3.5 mm	R1/2"

Glass thickness 6 to 15 mm

D	Number of segments	Grit	T	W	X	Fitting
8	3	MED	70 mm	30 mm	1.5 mm	R1/2"
10	3	MED	70 mm	30 mm	2.0 mm	R1/2"
12	3	MED	70 mm	30 mm	2.0 mm	R1/2"
14	4	MED	80 mm	45 mm	2.5 mm	R1/2"
16	4	MED	80 mm	45 mm	3.0 mm	R1/2"
20	4	MED	85 mm	45 mm	3.5 mm	R1/2"
20	6	MED	85 mm	45 mm	3.5 mm	R1/2"

Glass thickness 12 to 19 mm

D	Number of segments	Grit	T	W	X	Fitting
8	3	ROUGH	70 mm	30 mm	1.5 mm	R1/2"
10	3	ROUGH	70 mm	30 mm	2.0 mm	R1/2"
12	3	ROUGH	70 mm	30 mm	2.0 mm	R1/2"
14	4	ROUGH	80 mm	45 mm	2.5 mm	R1/2"
16	4	ROUGH	80 mm	45 mm	3.0 mm	R1/2"
20	4	ROUGH	85 mm	45 mm	3.5 mm	R1/2"
20	6	ROUGH	85 mm	45 mm	3.5 mm	R1/2"

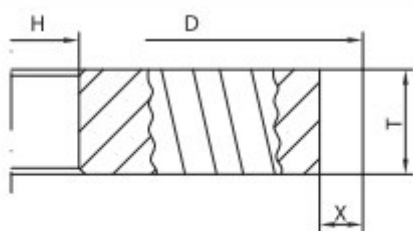
Segmented Grinding Wheels Silver

Machines: Intermac, Bavelloni Alpa, Tecnometal, CMS, Denver, Bimatec (Bottero), Lisec ...



Standard segmented tool, Ø 100 mm, Type A1AS without internal cooling

D	Glass	Grit	T	X	H
100	3-6 mm	D151	8 mm	7 mm	22 mm
100	6-8 mm	D151	10 mm	7 mm	22 mm
100	10 mm	D181	12 mm	7 mm	22 mm
100	12 mm	D181	14 mm	7 mm	22 mm
100	15 mm	D251	17 mm	7 mm	22 mm
100	19 mm	D251	22 mm	7 mm	22 mm



Standard segmented tool, Ø 120 mm, Type A1AS without internal cooling

D	Glass	Grit	T	X	H
120	3-6 mm	D151	8 mm	7 mm	22 mm
120	6-8 mm	D151	10 mm	7 mm	22 mm
120	10 mm	D181	12 mm	7 mm	22 mm
120	12 mm	D181	14 mm	7 mm	22 mm
120	15 mm	D251	17 mm	7 mm	22 mm
120	19 mm	D251	22 mm	7 mm	22 mm

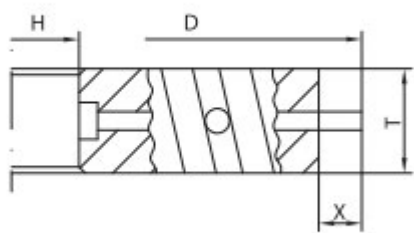
Standard segmented tool, Ø 150 mm, Type A1AS without internal cooling

D	Glass	Grit	T	X	H
150	3-6 mm	D151	8 mm	7 mm	22 mm
150	6-8 mm	D151	10 mm	7 mm	22 mm
150	10 mm	D181	12 mm	7 mm	22 mm
150	12 mm	D181	14 mm	7 mm	22 mm
150	15 mm	D251	17 mm	7 mm	22 mm
150	19 mm	D251	22 mm	7 mm	22 mm



**Standard segmented tool, Ø 100 mm,
Type A1AS with internal cooling**

D	Glass	Grit	T	X	H
100	3-6 mm	D151	8 mm	7 mm	22 mm
100	6-8 mm	D151	10 mm	7 mm	22 mm
100	10 mm	D181	12 mm	7 mm	22 mm
100	12 mm	D181	14 mm	7 mm	22 mm
100	15 mm	D251	17 mm	7 mm	22 mm
100	19 mm	D251	22 mm	7 mm	22 mm



**Standard segmented tool, Ø 120 mm,
Type A1AS with internal cooling**

D	Glass	Grit	T	X	H
120	3-6 mm	D151	8 mm	7 mm	22 mm
120	6-8 mm	D151	10 mm	7 mm	22 mm
120	10 mm	D181	12 mm	7 mm	22 mm
120	12 mm	D181	14 mm	7 mm	22 mm
120	15 mm	D251	17 mm	7 mm	22 mm
120	19 mm	D251	22 mm	7 mm	22 mm

**Standard segmented tool, Ø 150 mm,
Type A1AS with internal cooling**

D	Glass	Grit	T	X	H
150	3-6 mm	D151	8 mm	7 mm	22 mm
150	6-8 mm	D151	10 mm	7 mm	22 mm
150	10 mm	D181	12 mm	7 mm	22 mm
150	12 mm	D181	14 mm	7 mm	22 mm
150	15 mm	D251	17 mm	7 mm	22 mm
150	19 mm	D251	22 mm	7 mm	22 mm